

MONO

330, 335, 340, 345, 350, 355



Black Panther



Manufactured in EU



Anti-PID Technology



Proven by Independent Engineering Tests



Guaranteed Positive Power

MONO

RCM-xxx-6MA (xxx=330-355)

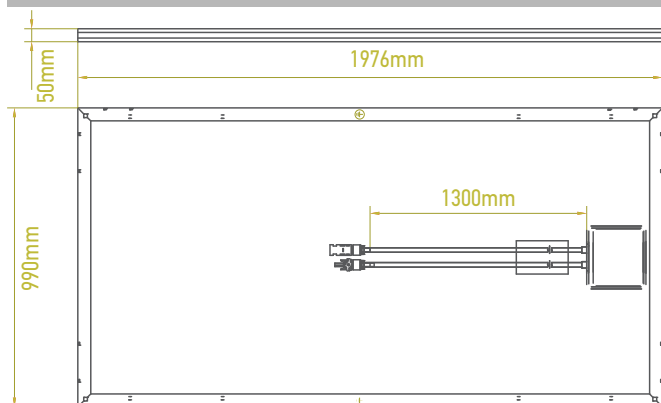
Electrical Characteristics

Rated Power:	330W	335W	340W	345W	350W	355W
Power Tolerance :	0%/+5W	0%/+5W	0%/+5W	0%/+5W	0%/+5W	0%/+5W
Maximum Power Voltage (Vmp):	37.70V	37.90V	38.00V	38.10V	38.20V	38.30V
Maximum Power Current (Imp):	8.77A	8.85A	8.95A	9.06A	9.16A	9.27A
Open Circuit Voltage (Voc):	46.20V	46.40V	46.50V	46.60V	46.70V	46.80V
Short Circuit Current (Isc):	9.28A	9.29A	9.40A	9.48A	9.56A	9.64A
Module Efficiency	16.90%	17.28%	17.54%	17.70%	17.90%	18.20%
Maximum Series fuse:	15A	15A	15A	15A	15A	15A
Maximum System Voltage:	1000V DC(IEC) / 1000V DC(UL)					
Tested at Standard Test Conditions. Measurement tolerances: ± 3%						

Mechanical Data

Dimensions	1976mm x 990mm x 50mm
Frame	Anodized aluminum
Weight	22 kgs
Front Glass	3.2 mm AR low iron tempered glass
Output Cables:	TUV (2Pfg1169:2007), UL 4703, UL44 4.0 mm ² (0.006 in ²), symmetrical lengths (-) 1300mm and (+) 1300 mm, MC4 type connectors

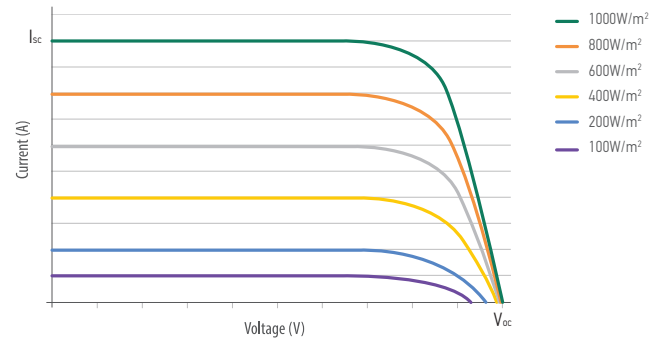
Dimensions



Specifications are subject to change without further notification
Release 2016-02, v2.2

*RECOM assumes no liability or responsibility for any typographical errors or layout errors or misinformation or any other errors or omissions contained herein.

I-V Curve



The module relative power loss at low light irradiance of 200W/m² is less than 3%.

Temperature Characteristics

Pmax Temperature Coefficient	-0.44% / °C
Voc Temperature Coefficient	-0.30% / °C
Isc Temperature Coefficient	+0.04% / °C
Operating Temperature	-40 ~ +85 °C
Nominal Operating Cell Temperature (NOCT)	45 ± 2 °C

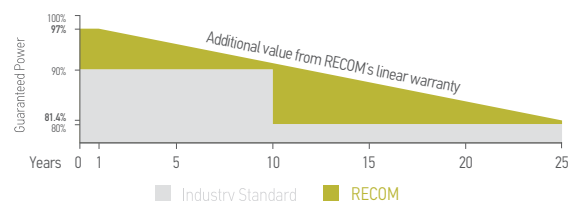
Packing Configuration

Container	20'GP	40'HC
Pieces per Pallet	26 or 24	26 or 24
Pallets per Container	10	22
Pieces per Container	260 or 240	572 or 528

Tests, Certifications and Warranties

Standard tests	UL1703, IEC 61215, IEC 61730
Quality tests	ISO 9001: 2008, ISO 14001: 2004, ISO17025: 2005
Certifications	Class C Fire Rating, conformity to CE, PV CYCLE, Salt Mist and Ammonia Corrosion
Extreme wind and snow loads testing	Module certified to withstand extreme wind (2400 Pascal) and snow loads (5400 Pascal)
Positive tolerance	Guaranteed positive tolerance of up to 5W
Junction Box	IP67 Rated, 3 diodes
Warranties	<ul style="list-style-type: none"> 10-year limited product warranty 25-year transferable linear power output warranty

LINEAR PERFORMANCE WARRANTY



Dealer: